

Read This First: Compatibility of the P7500 Series Probes DDR Interposer Probe Tip

The 020-3022-xx probe tip is only designed for use with the DDR Interposer, and can be identified by the green heat shrink. It does not include integral damping resistors; they are incorporated into the interposer. Do not use this tip for general-purpose probing.

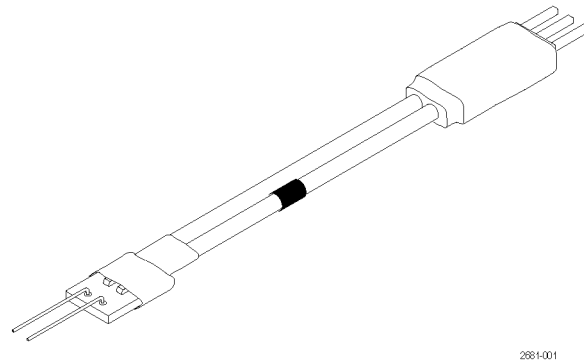


Figure 1: DDR Interposer probe tip (Tektronix part number 020-3022-xx, kit of 10)

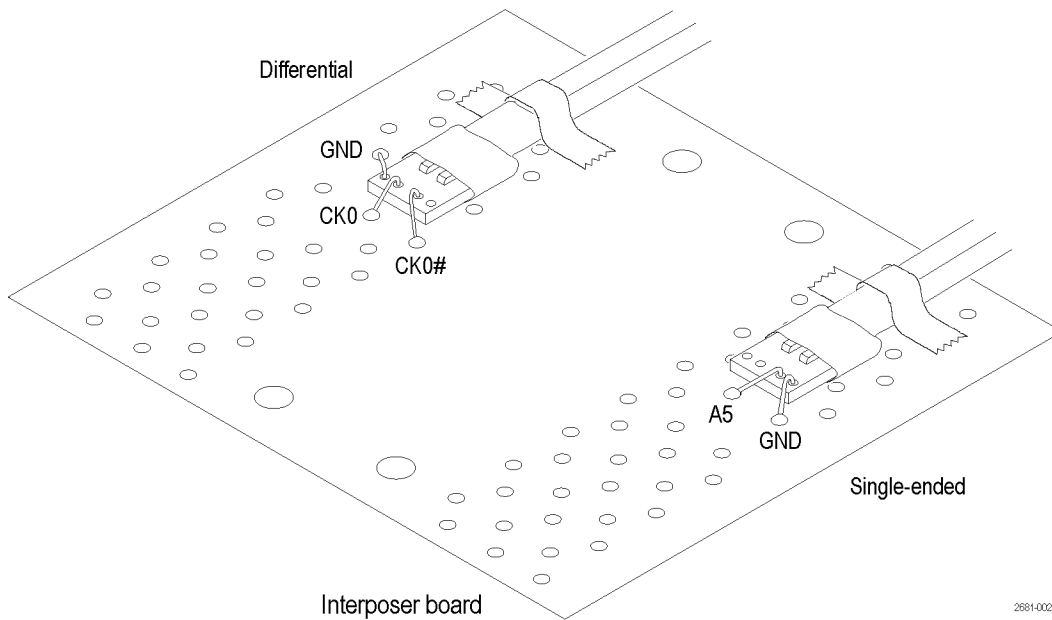


Figure 2: Application examples

